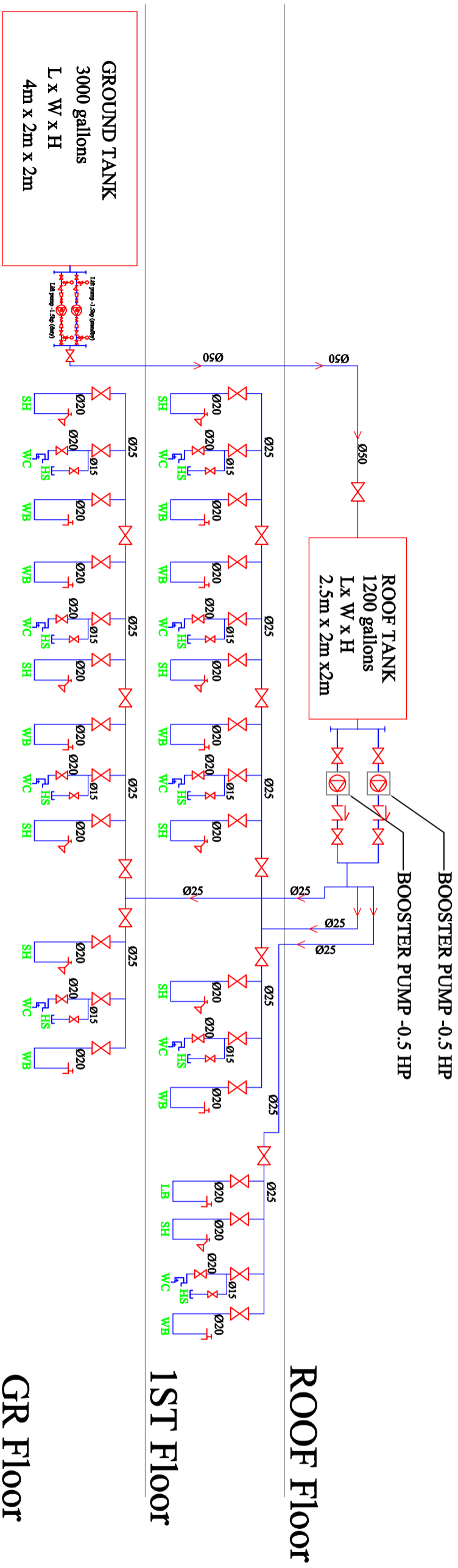


REVISION	DESCRIPTION	DATE
0	DESIGN DEVELOPMENT	3.4.2019



LEGENDS

WC	– Water Closet
WB	– Wash Basin
HS	– Hand Shower
SH	– Shower
LB	– LONG BATH

SCHMATIC DIAGRAM OF PLUMBING SERVICE

OWNER SIGNATURE		DATE	
PROJECT NAME		DATE	
2 STOREY'S GUEST HOUSE			
BLOCK NO.	LOT NO.		
LOCATION NAY PYI TAW			
DRAWING TITLE SCHEMATIC DIAGRAM OF PLUMBING SERVICE			
DRAWING NO. ASL - M&E - NPT - GH - PLUMBING - 005			
SCALE N/A	DATE / ISSUED 3.4.2019	REVISION	
DRAWN BY EHHW	CHECK BY STAK	0	
M&E AND FIRE ENGINEER			
ASL M&E Design & Calculation			
Address NO 32, Sane Lae Thar Yar Road, N Dagon			
Contact phone 095115712, 09785115712			